

# PRODUCT INFORMATION PACKET

Model No: 5KCR48WN0292

Catalog No: C297

1.5 HP General Purpose Motor, 1 phase, 1800 RPM, 115/208-230 V, 145T Frame, TEFC  
Single Phase TEFC Motors





### Nameplate Specifications

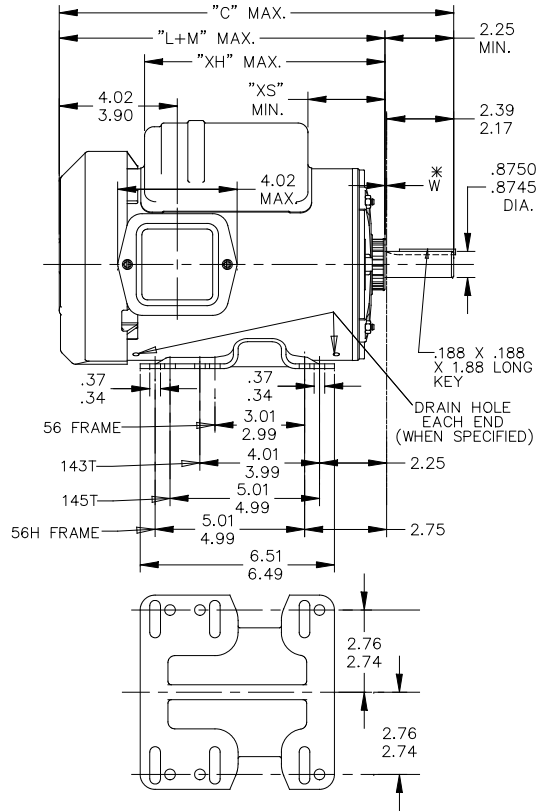
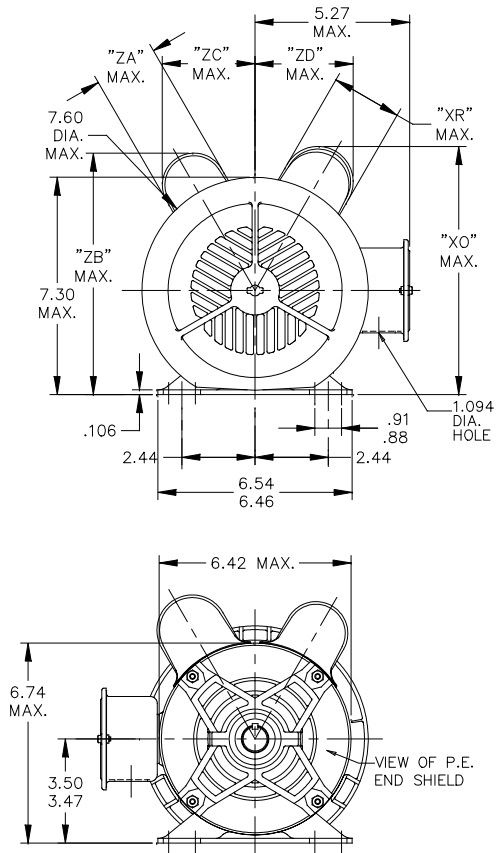
Output HP	1.50 Hp	Output KW	1.1 kW
Frequency	60 Hz	Voltage	115/208-230 V
Current	14.5,7.1-7.3 A	Speed	1725 rpm
Service Factor	1.15	Phase	1
Efficiency	73.6 %	Power Factor	0
Duty	Continuous	Insulation Class	B
KVA Code	K	Frame	145T
Enclosure	Totally Enclosed Fan Cooled	Thermal Protection	N/R
Ambient Temperature	40 °C	Drive End Bearing Size	6205
Opp Drive End Bearing Size	6203	UL	Recognized
CSA	Yes	CE	N

### Technical Specifications

Electrical Type	Capacitor Start Capacitor Run	Starting Method	SM
Poles	4	Rotation	Counterclockwise/Clockwise
Mounting	Rigid Base	Motor Orientation	ANY
Drive End Bearing	BALL	Opp Drive End Bearing	Ball
Frame Material	Rolled Steel	Overall Length	14.07 in
Frame Length	8.43 in	Shaft Diameter	0.880 in
Shaft Extension	2.25 in		
Connection Drawing	52A105381BG	Outline Drawing	52A107655P2

This is an uncontrolled document once printed or downloaded and is subject to change without notice. Date Created:03/11/2020

52A107655

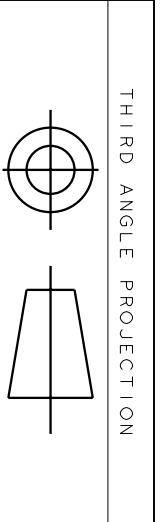


ALL DIMENSIONS ARE IN INCHES

3	KCR	49	143T 145T	14.63	12.38	7.77	8.19	2.72	2.02	2.40	8.40	3.20	3.38	8.99
2	KCR	48	143T 145T	14.07	11.82	7.72	8.77	2.72	2.03	2.10	8.15	3.14	3.63	8.43
1	KCR	49	143T 145T	13.33	11.07	8.22	8.40	2.40	2.47	2.15	8.18	3.20	3.38	7.68
P	TYPE	GE	NEMA	"C"	"L+M"	"XH"	"XO"	"XR"	"XS"	"ZA"	"ZB"	"ZC"	"ZD"	MIN. SHELL

\* W IS A VARIABLE CLEARANCE DUE TO VARIATIONS IN PARTS AND ASSEMBLY

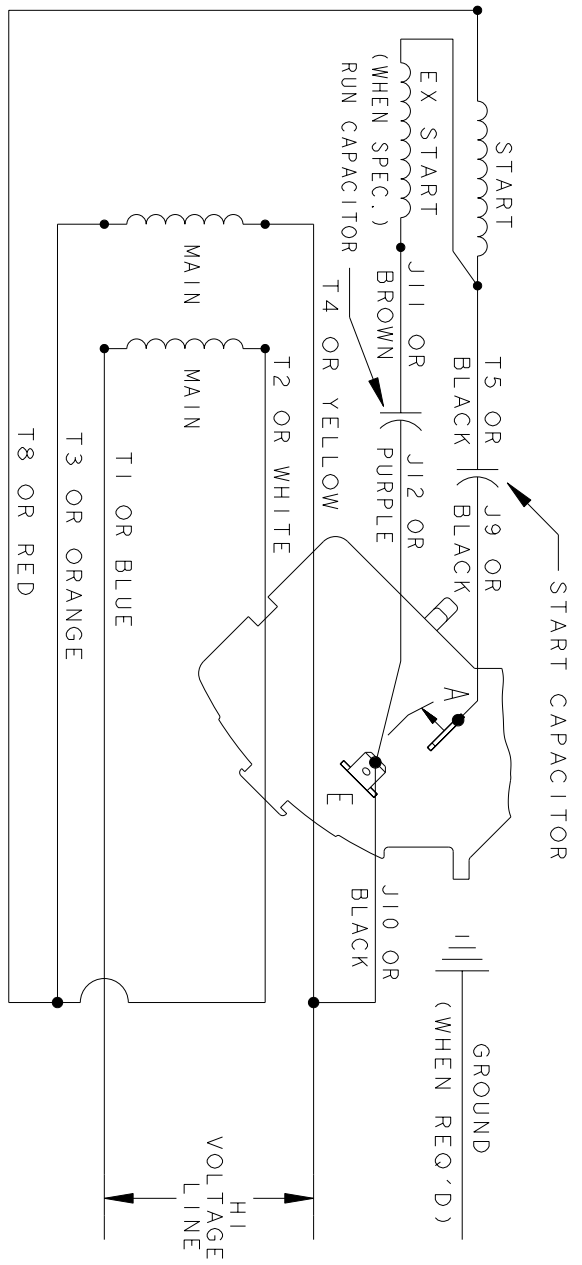
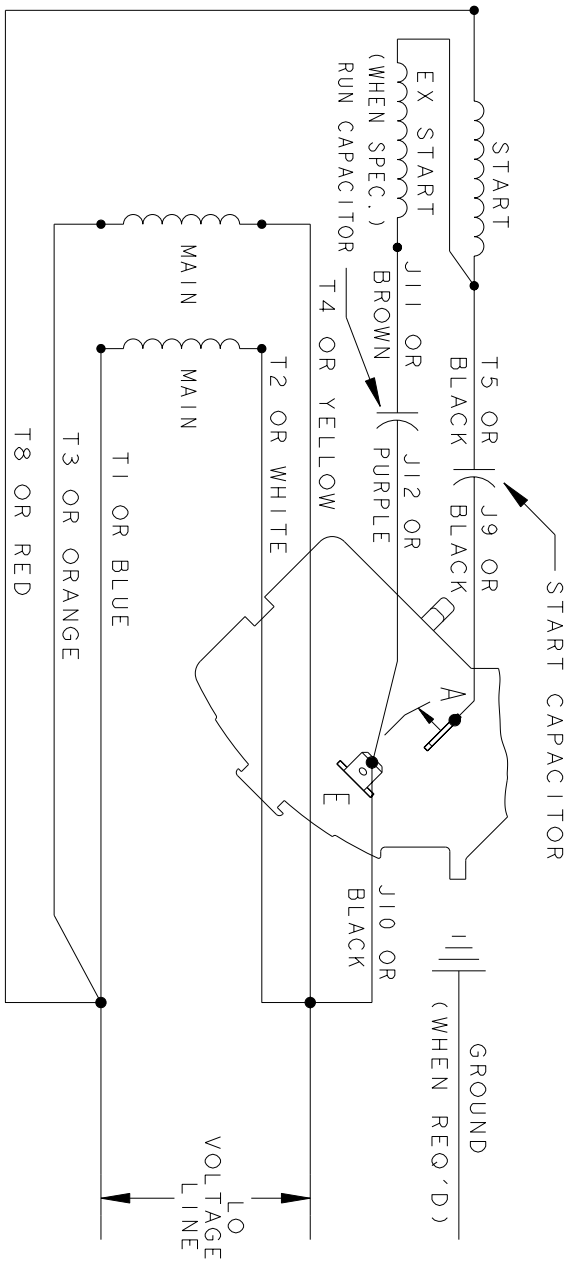
				TOLERANCES UNLESS SPECIFIED		REGAL <sup>TM</sup> Regal Beloit America, Inc.				DRAWNM.D.PAPE 02/28/94			
				DEC.						CHK			
				.X	±.1					APPD M.A.M 08/17/94			
				.XX	±.03	TITLE				SCALE 1=1			
10 ADDED DRAIN HOLES PER ECO-0136529				SN	12/20/17	GENERAL PURPOSE MTR-TEFC-BALL BEARING-WELDED BASE				REF			
9 CHG TO RBC FORMAT PER ISO5-1777				AB	03/01/06	MAT'L.				FMF 40 FR DESIGN			
NO.	REVISION			CHK	ANG	FINISH				PREV			
THIS DRAWING IN DESIGN AND DETAIL IS OUR PROPERTY AND MUST NOT BE USED EXCEPT IN CONNECTION WITH OUR WORK ALL RIGHTS OF DESIGN AND INVENTION ARE RESERVED THIS IS AN ELECTRONICALLY GENERATED DOCUMENT - DO NOT SCALE THIS PRINT				RFP	CAD FILE 52A107655				SIZE	DRAWING NO.	PAGE	OF	REV.
				DIST					A	52A107655			10



THIRD ANGLE PROJECTION

REVISIONS		DESCRIPTION	DATE	APPROVED
REV.	3	UPDATED FORMAT	01/04/06	MAM

CCW/CW ROTATION - DUAL VOLTAGE  
TYPE KCR



NOTE#1 - TO REVERSE ROTATION, INTERCHANGE T8 RED AND J10 BLACK LEADS.  
NOTE#2 - WHEN MORE THAN ONE CAPACITOR IS USED, CONNECT IN PARALLEL.

SWITCH (H) - 115D958AB

REF. DIAG. - 119A9324

CONNECTION LABEL - 52X332917

SIGNATURES		DATE
MODEL	MADHU	12/21/09
DETAIL	.	.
CHECKED	.	.
ENGRG	.	.
MFG	.	.
FOR ADDITIONAL INFO REFER TO:	QUALITY	.
APPLIED PRACTICES	ISSUED	MADHU 12/21/09
DIMENSIONS ARE IN INCHES	SOLID MODEL: 52A105381BG	



REGAL-BELOLT CORPORATION

CONNECTION DIAGRAM

SIZE	DRAWING	SCALE: 1.000	REF. No.:	SHEET 1 of 1
A				
52A105381BG				REV 0